

FlexStream™ PM

Permeation Module

Description

The *FlexStream™ PM* is an independently controlled permeation tube oven designed to work in parallel with the *FlexStream™* Base Module. The *PM* allows concurrent operation of an additional set of permeation tubes that may operate at a different temperature from tubes in the Base.

The *PM* is one of several Auxiliary Modules designed to work with the Base Module. Up to 5 additional modules can be used with a single Base Module to form a complete gas standards generating system.

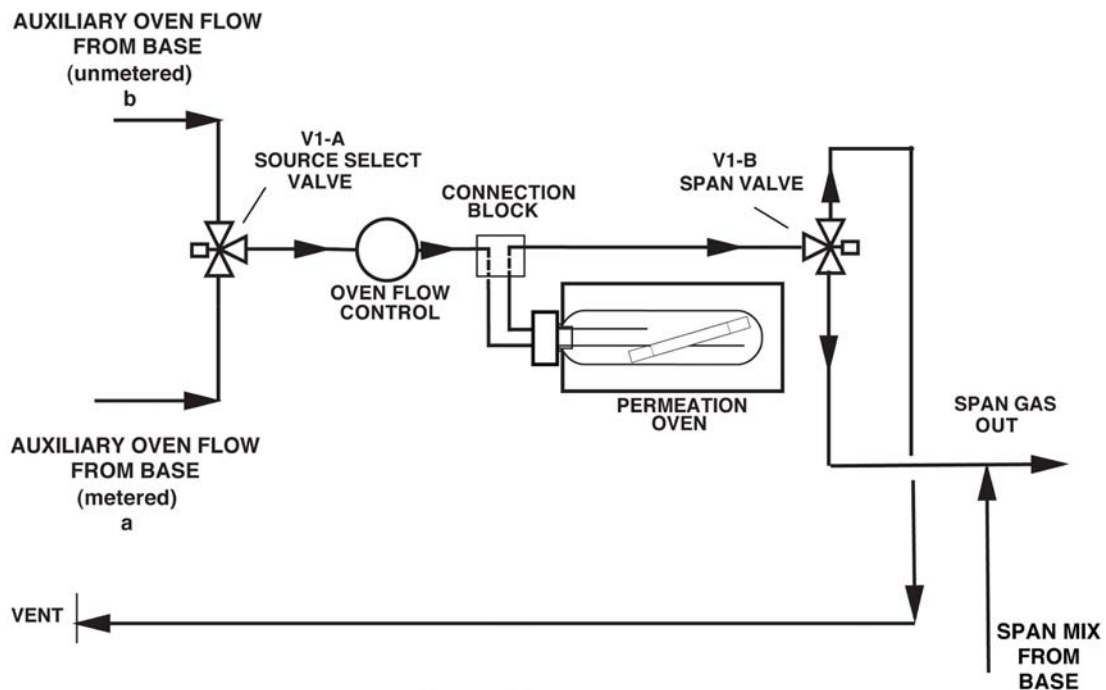


Operation

The *FlexStream™ PM* has two operating states; **Standby** and **Span**. In the Standby state the permeation tubes are maintained at temperature equilibrium with the permeate flowing to **Vent**. In the **Span** state the permeate is mixed into the span gas flow from the Base Module. Operation of the *PM* is controlled through the microprocessor subsystem in the Base Module. Gas to operate the *PM* is taken from the Base Module.

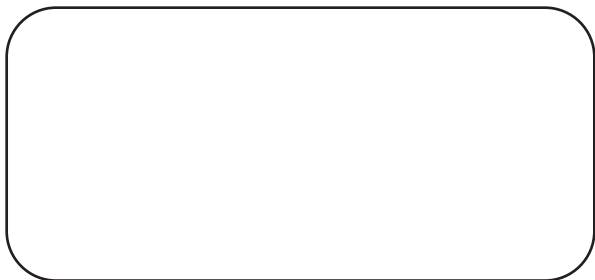
FEATURES

- Flow path suitable for reactive gases-mixture contacts only glass, Teflon® and stainless steel
- Accepts up to 8 disposable tubes with maximum 6" length X 1/4" diameter
- High mass oven with electronic PID control
- Temperature Control Range: 5°C above ambient from 20 to 150°C (heat only)
- Temperature Setpoint Resolution: 0.01°C across control range
- Power Requirements: Standard: 115VAC, 2A; Optional: 230 VAC, 1A
- Dimensions: 7.5" Width X 13.5" Height X 20" Depth; Weight Approximately 25lbs



Flow Diagram
FlexStream™ PM Module

Represented by:



KIN-TEK 
The Calibration Specialists

Rev PM.030311
Copyright© 2011 KIN-TEK Laboratories, Inc.
All rights reserved. Printed in USA

1-800-326-3627
Ph: (409) 938-3627
Fax: (409) 938-3710
www.kin-tek.com
email: sales@kin-tek.com